

Electrical Outputs:

Alarm: One SPDT relay, can be set over range of -.050 to +.050 inches water.
 Contacts can be set for fail-safe operation, (i.e. contact closed power loss).
 Alarm output has built-in 1-minute delay, both red LED and piezo alarm.

Remote: 4-20 mA, Standard Range*.100 to +.100 inches in water

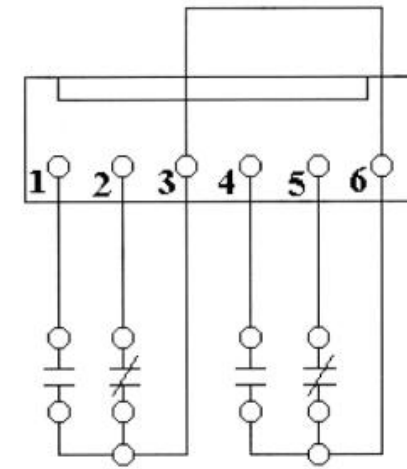
- 7 mA = -.100 inches water
- 12 mA = .000 inches water
- 17 mA = +.100 inches water

Maximum range 1000 ft. #20 awg wire into 250 ohm load

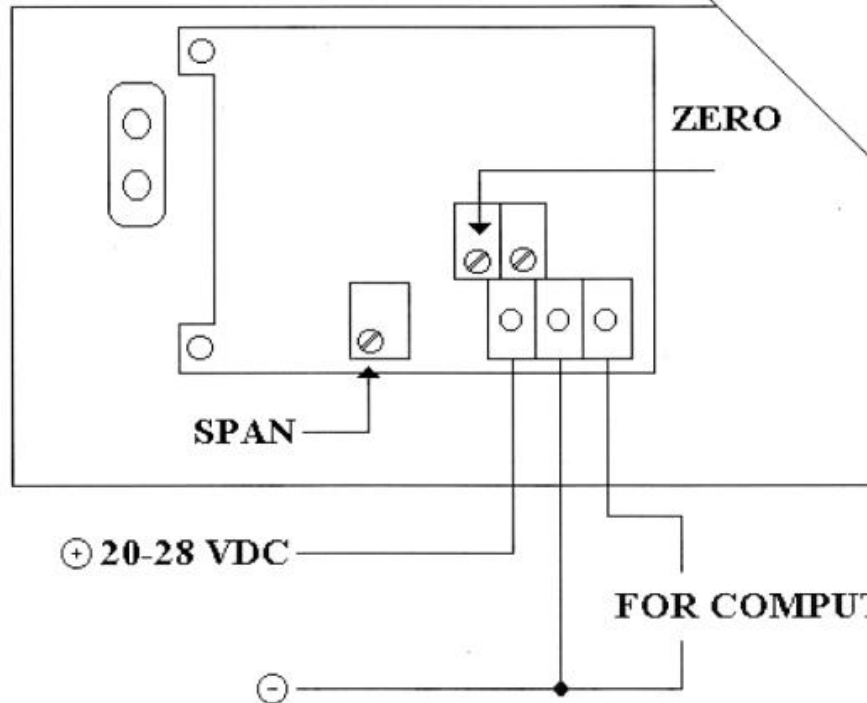
Maximum Power: 1.3 watts @ 24 VDC, 3 wire 4-20 mA output
 115 VAC to 24 VDC, step-down transformer provided (OPTION)

ACCUSTAT BMS Differential Pressure Monitor

J3



FOR ALARM



FOR COMPUTER (BMS) HOOK UP

- 7 mA = -.100 inches water
- 12 mA = .000 inches water
- 17 mA = +.100 inches water

BIOLOGICAL
Controls

749 Hope Road
 Suite A
 Eatontown, NJ 07724
 Toll Free (800) 224-9768
 Tel (732)-389-8922 Fax (732) 389-8821